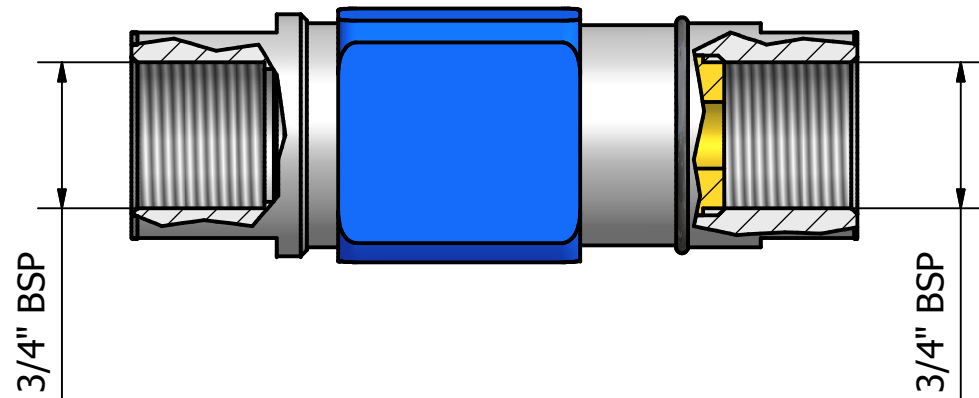
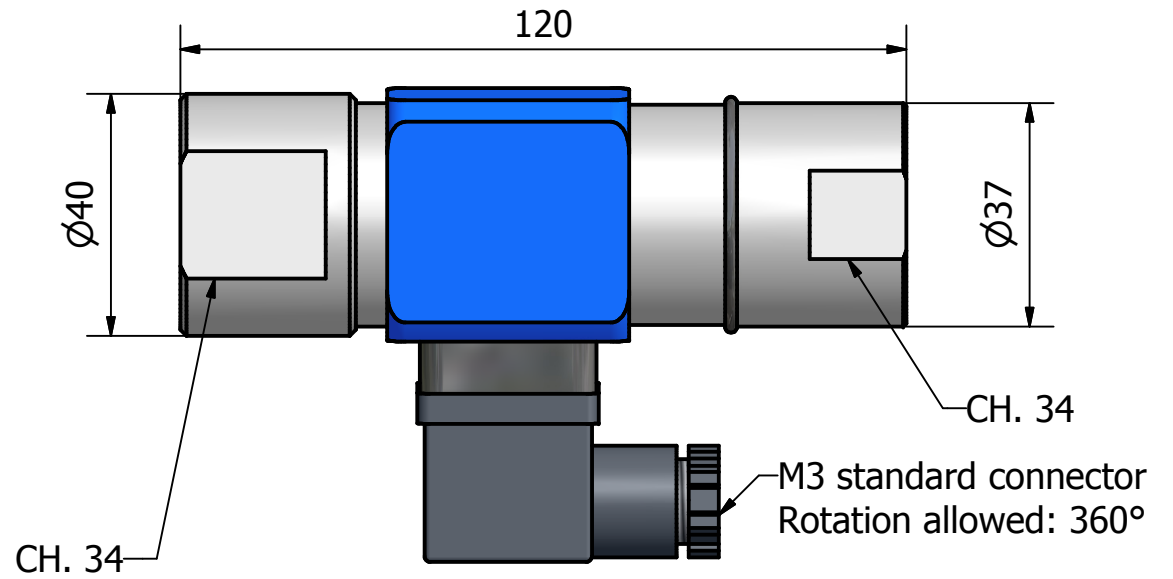
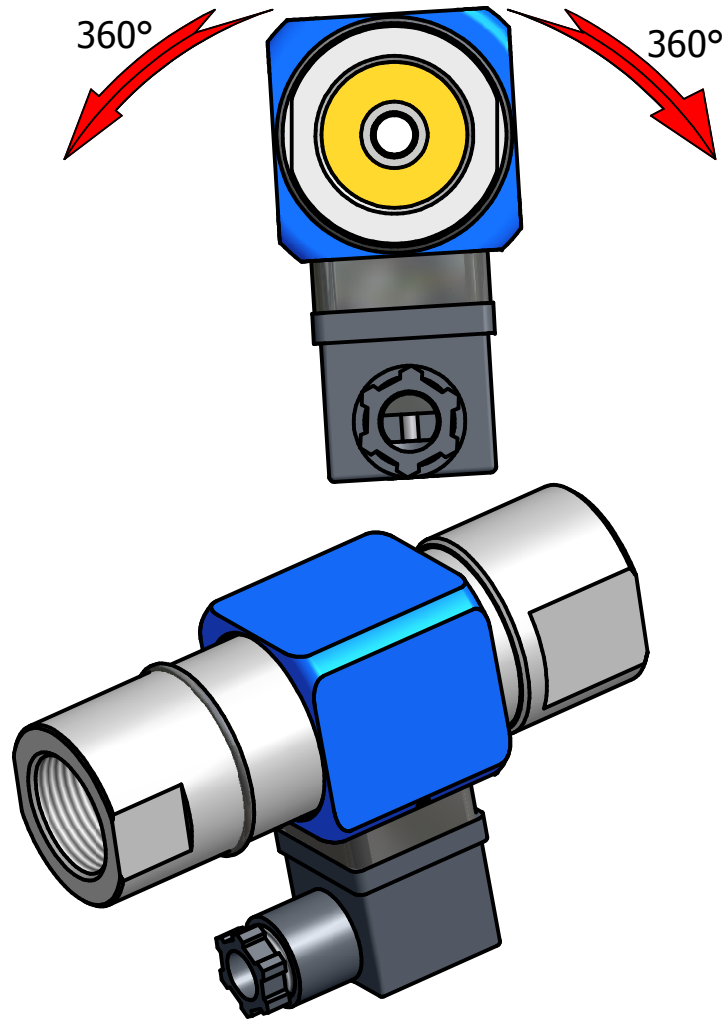


FLOWSTAT ZV



| | | | | | |
|--|-----------------------|--|-------------|------------------------------------|-----------------|
| CAD ref.: ZV7-8.iam | DRAWN: | Date | Name: | DESCRIPTION: Flowstat ZV7-8 | SCALE: |
| | CHECKED: | 13/07/2010 | | | |
| | APPROVED: | | | | |
| ALL DIMENSION ARE IN MILLIMETER EXCEPT WHERE OTHERWISE NOTED | Projection:ISO128 | FOX S.r.l. Via Romagna 6 20090 Opera (MI) ITALY | Fox.bmp | DRAWING No/FILE NAME ZV 7-8 | SHEET 1 of 1 |
| THIS DRAWING IS PROPERTY OF FOX S.r.l. COPYRIGHT , PATENTS AND ALL INDUSTRIAL PROPERTY RIGHTS RESERVED | | | | | |

We reserve us the right to modify the construction without prior notice